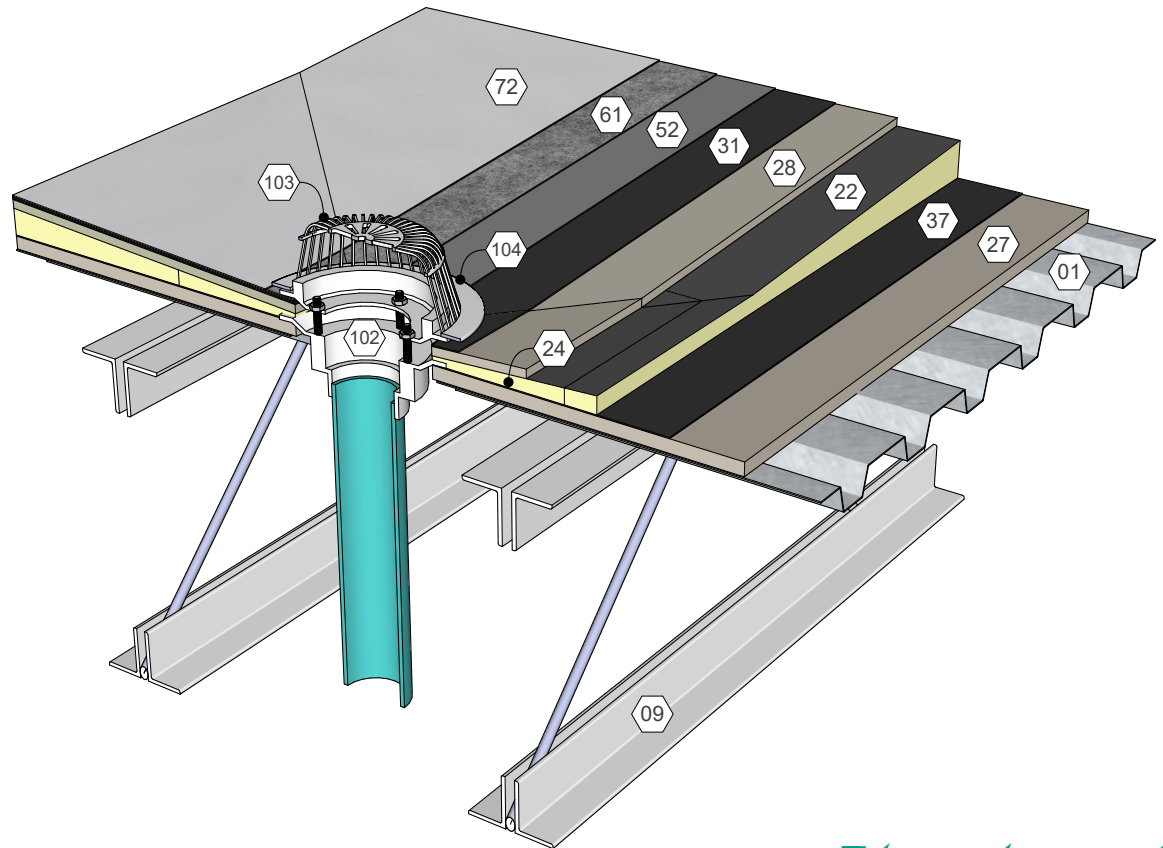
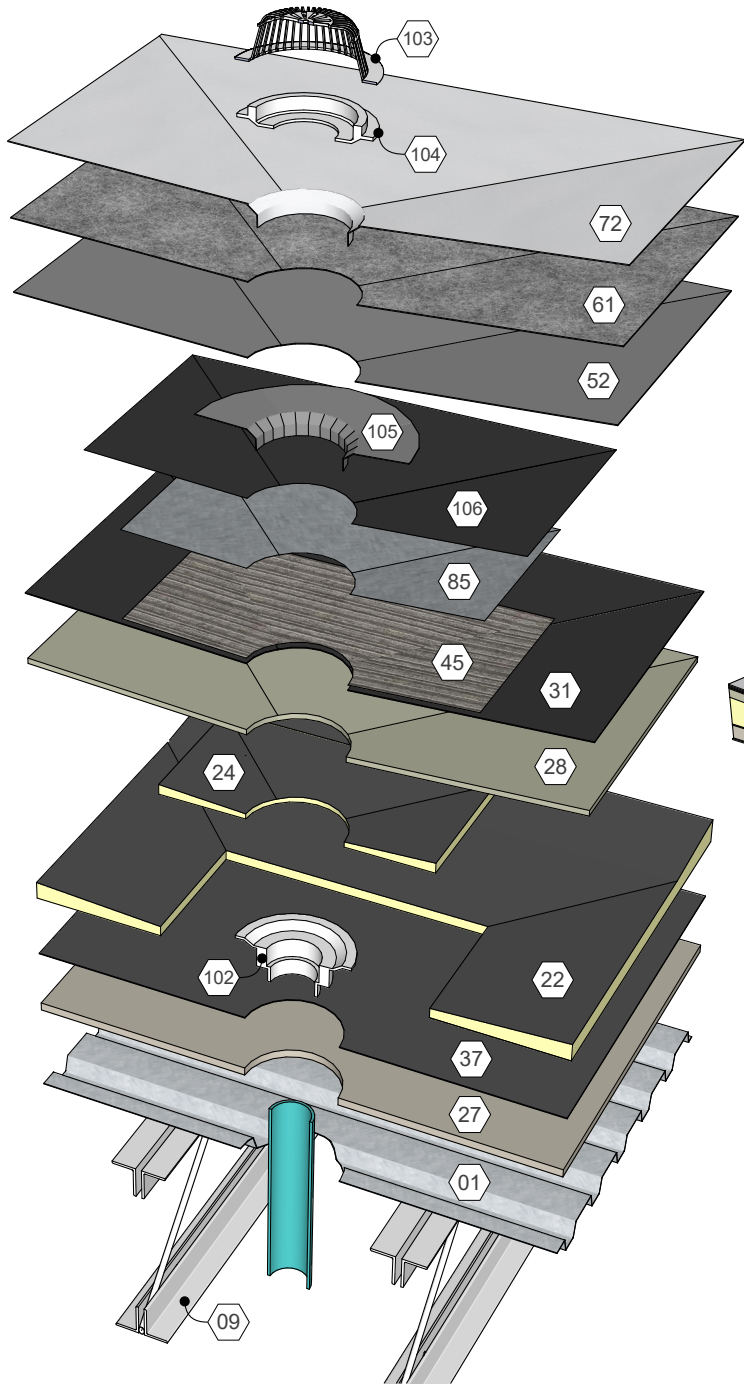
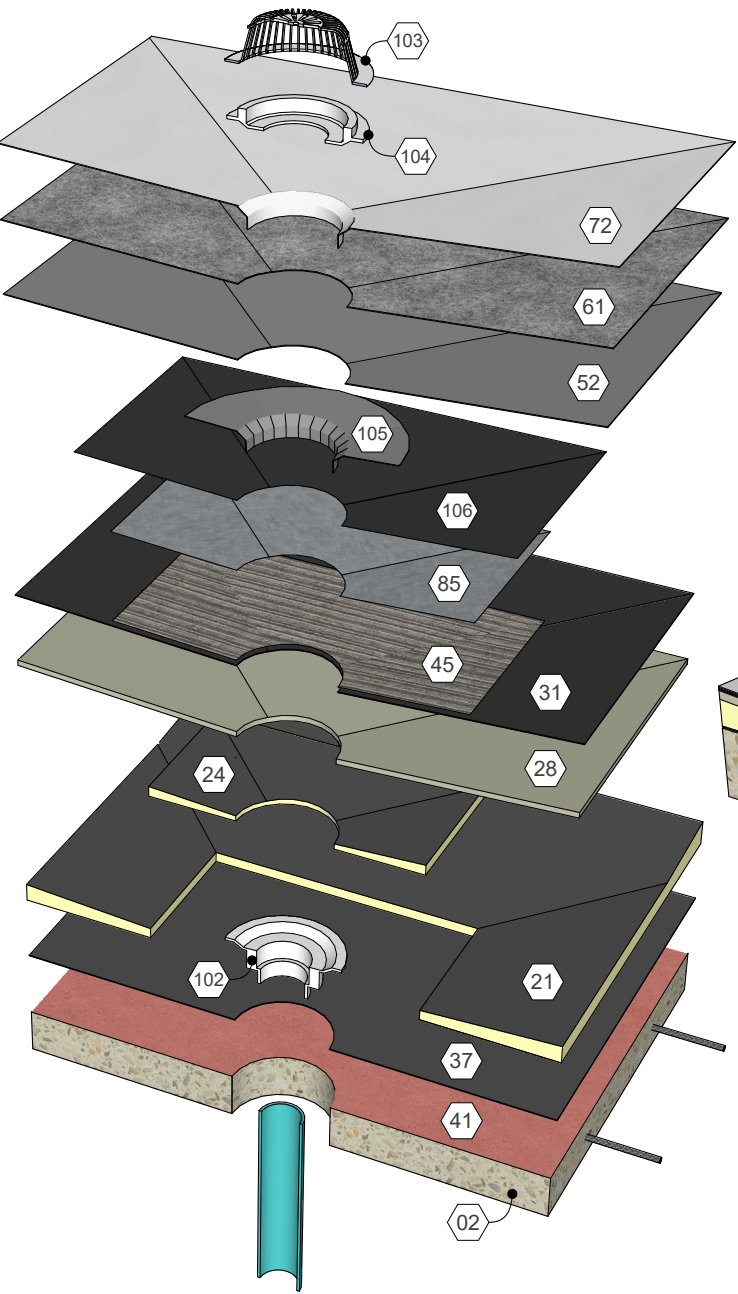


KEY NOTES

- | | | |
|--|-------------------------------------|----------------------------|
| ① Metal Deck | ③① Approved Base Ply Sheet | ⑧⑤ Lead Flashing Sheet |
| ⑨ Roof Structure | ③⑦ Approved Base Sheet (Adhered) | ⑩② Drain Pan |
| ②② Polyisocyanurate Insulation (Fastened or Adhered) | ④⑤ Roofing Mastic | ⑩③ Metal Drain Strainer |
| ②④ Tapered Insulation Sump | ⑤② AlphaGuard BIO Base Coat | ⑩④ Clamping Ring |
| ②⑦ Substrate Board (Fastened) | ⑥① AlphaGuard Glass Mat or Permafab | ⑩⑤ AlphaGuard Target Patch |
| ②⑧ Cover Board (Adhered) | ⑦② AlphaGuard BIO Top Coat | ⑩⑥ Stripping Ply |

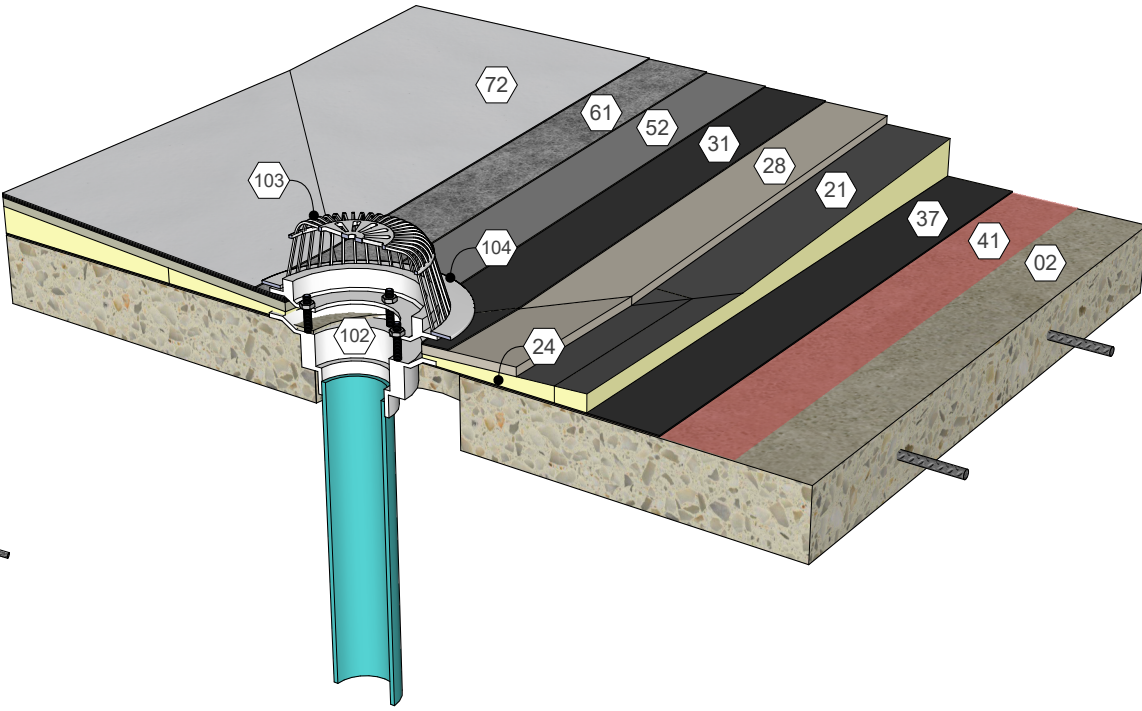


AlphaGuard® BIO Plus Roof Drain, Temp. Roof, Metal Deck
Detail 33221



KEY NOTES

- | | | |
|--|-------------------------------------|-----------------------------|
| 02 Structural Concrete Deck | 37 Approved Base Sheet (Adhered) | 85 Lead Flashing Sheet |
| 21 Polyisocyanurate Insulation (Adhered) | 41 Approved Primer | 102 Drain Pan |
| 24 Tapered Insulation Sump | 45 Roofing Mastic | 103 Metal Drain Strainer |
| 28 Cover Board (Adhered) | 52 AlphaGuard BIO Base Coat | 104 Clamping Ring |
| 31 Approved Base Ply Sheet | 61 AlphaGuard Glass Mat or Permafab | 105 AlphaGuard Target Patch |
| | 72 AlphaGuard BIO Top Coat | 106 Stripping Ply |

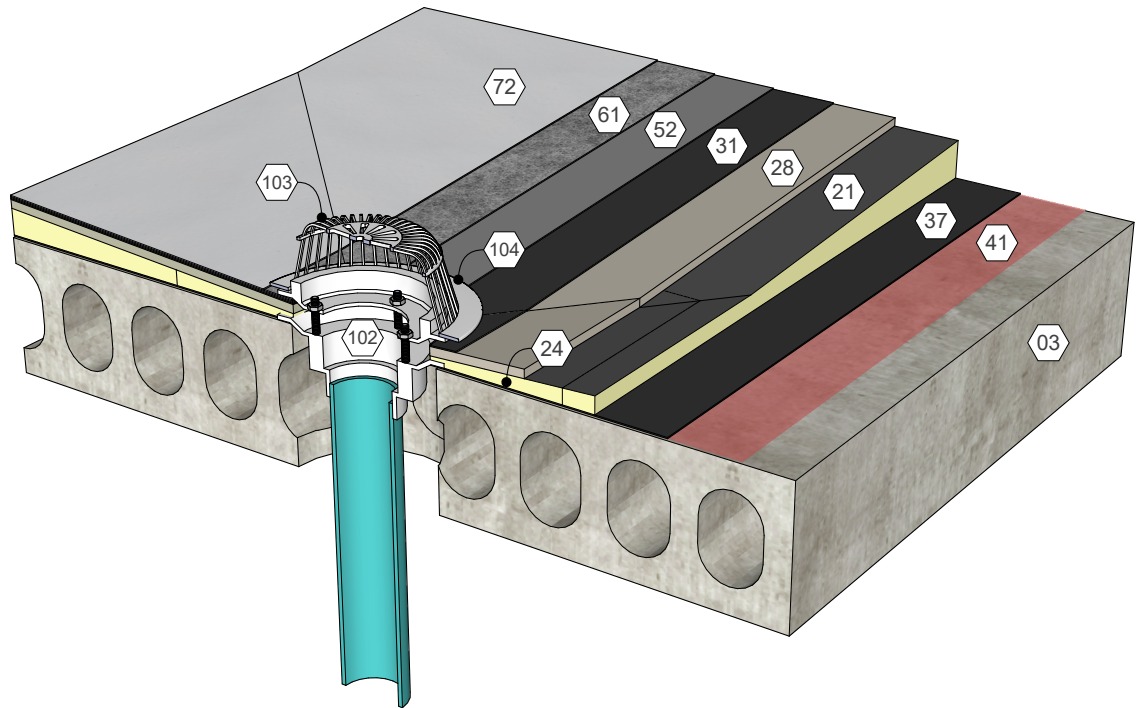
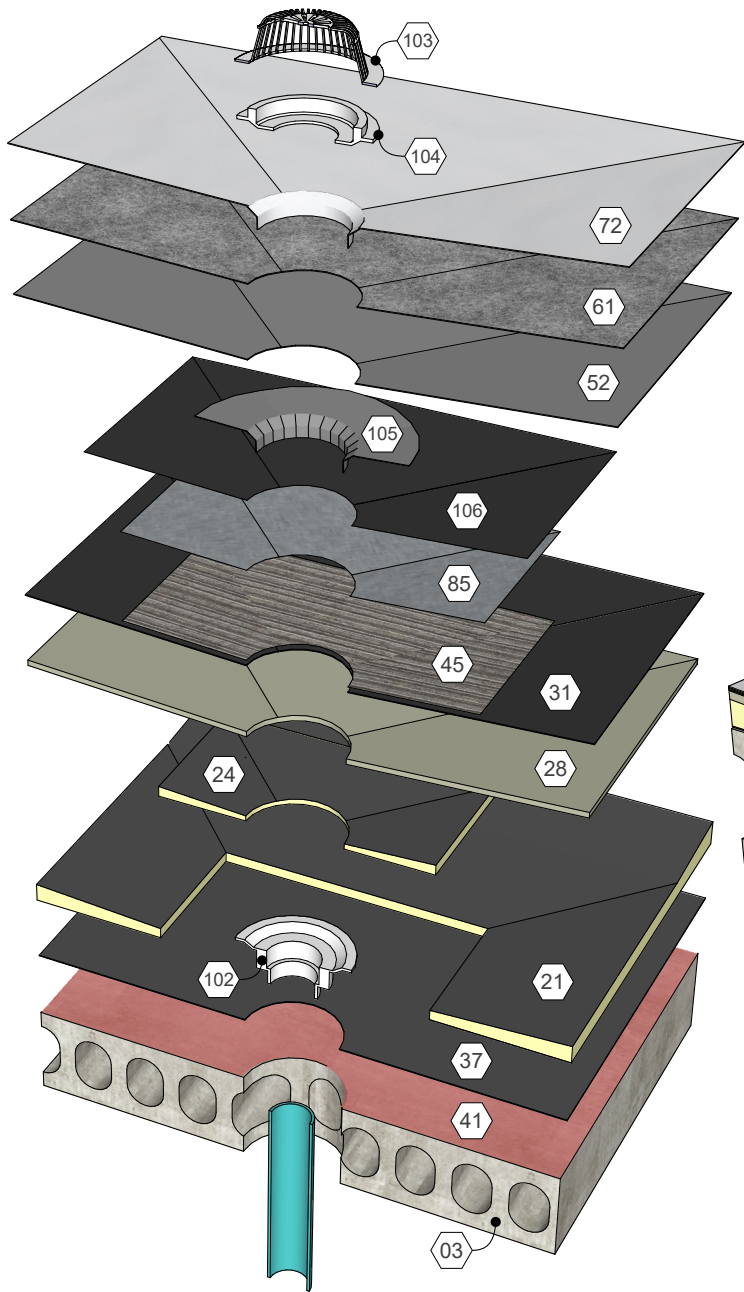


AlphaGuard® BIO Plus Roof Drain, Temp. Roof, Structural Concrete Deck
Detail 33222



KEY NOTES

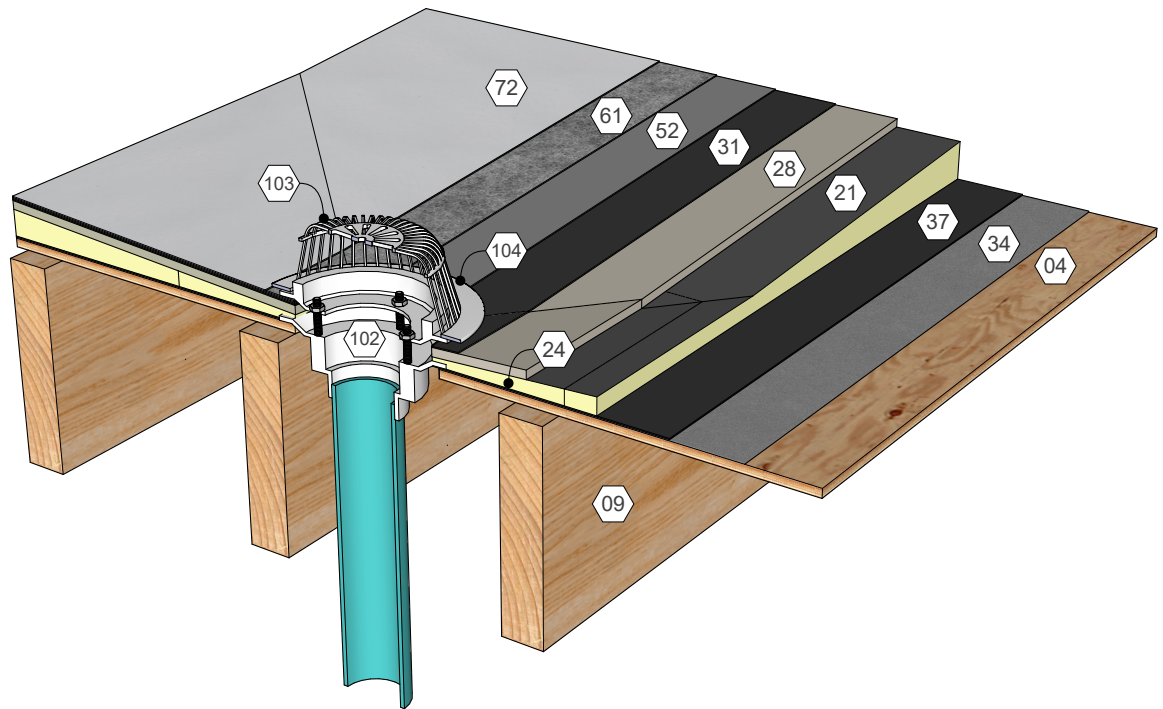
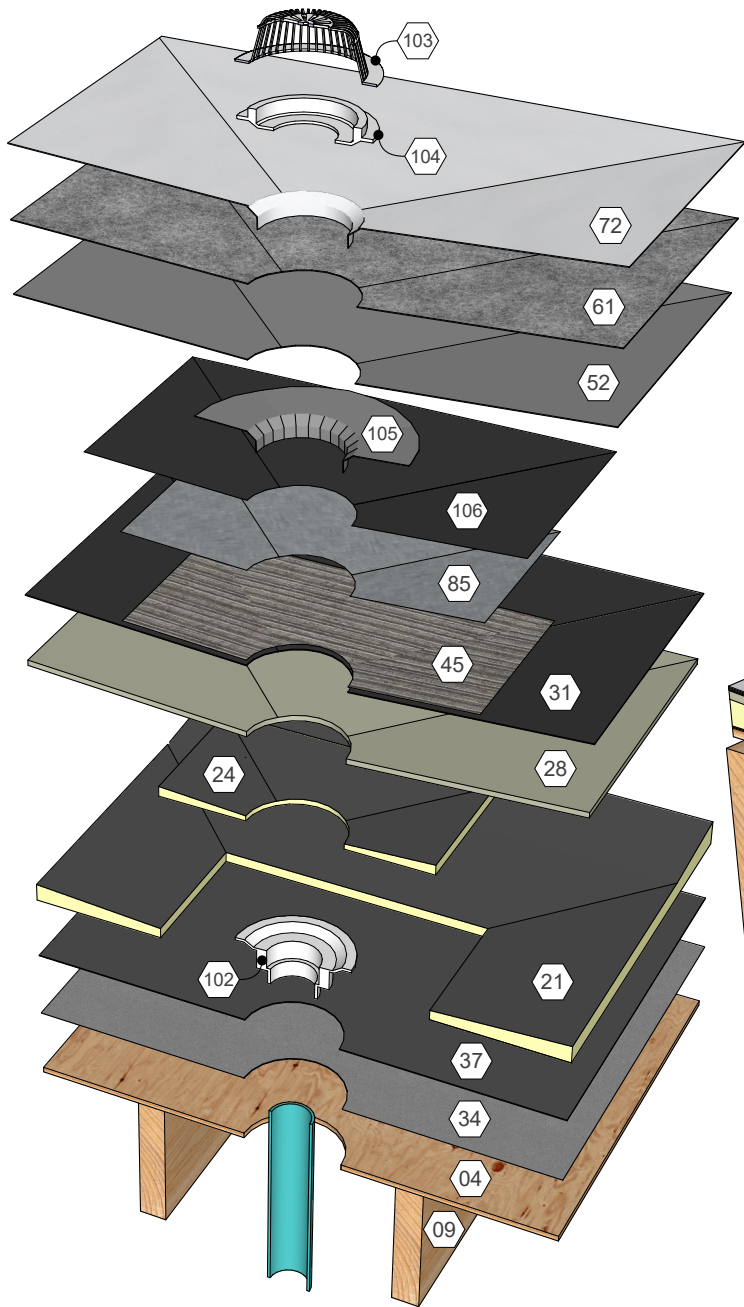
- | | | | | | |
|----|---------------------------------------|----|----------------------------------|-----|-------------------------|
| 03 | Precast Concrete Deck | 37 | Approved Base Sheet (Adhered) | 85 | Lead Flashing Sheet |
| 21 | Polyisocyanurate Insulation (Adhered) | 41 | Approved Primer | 102 | Drain Pan |
| 24 | Tapered Insulation Sump | 45 | Roofing Mastic | 103 | Metal Drain Strainer |
| 28 | Cover Board (Adhered) | 52 | AlphaGuard BIO Base Coat | 104 | Clamping Ring |
| 31 | Approved Base Ply Sheet | 61 | AlphaGuard Glass Mat or Permafab | 105 | AlphaGuard Target Patch |
| | | 72 | AlphaGuard BIO Top Coat | 106 | Stripping Ply |



AlphaGuard® BIO Plus Roof Drain, Temp. Roof, Precast Concrete Deck
Detail 33223

KEY NOTES

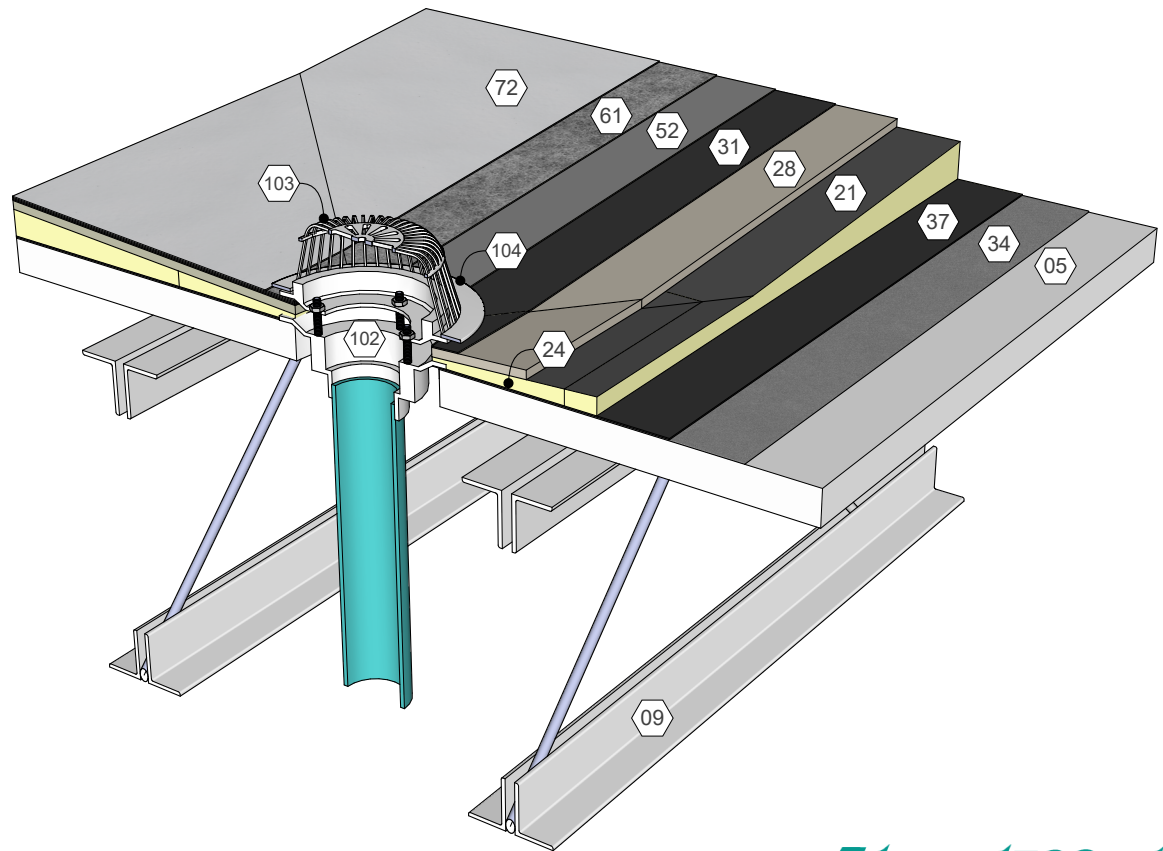
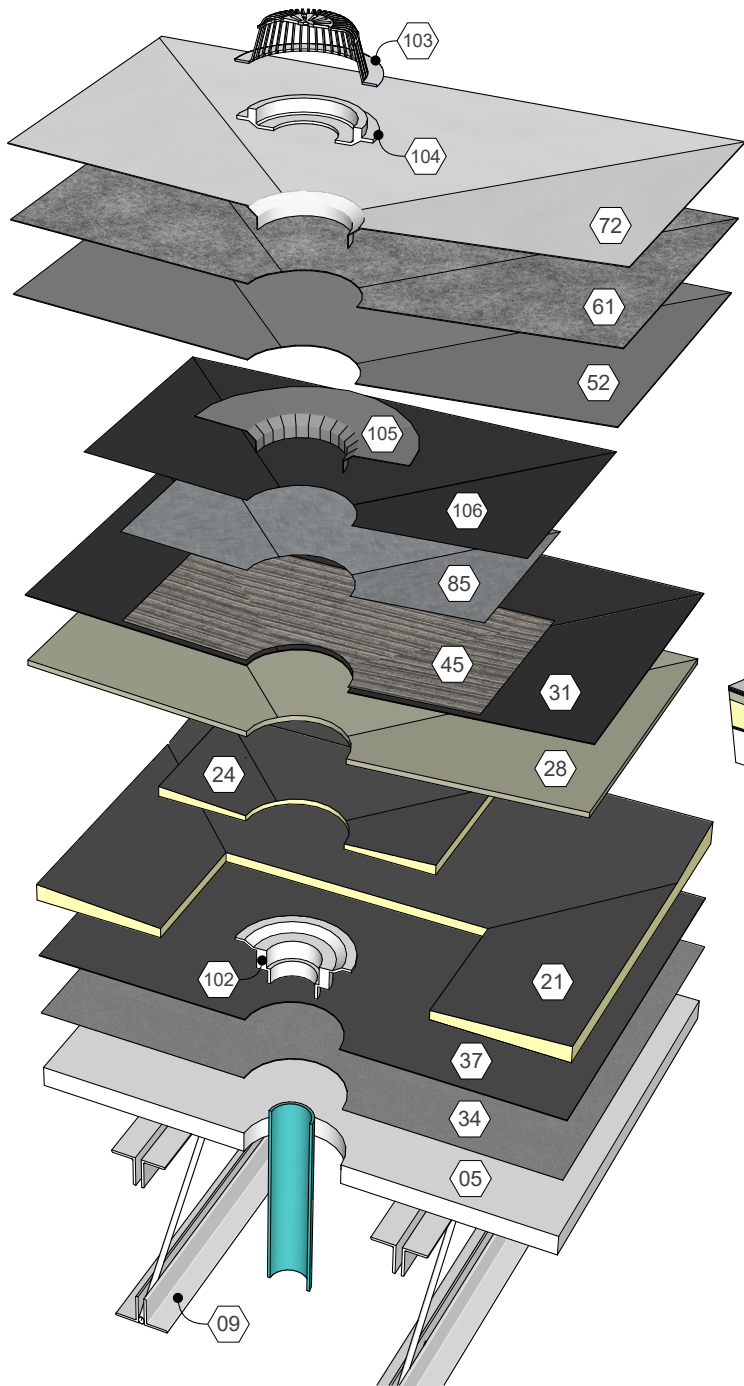
- | | | |
|--|-------------------------------------|-----------------------------|
| 04 Wood Deck | 37 Approved Base Sheet (Adhered) | 85 Lead Flashing Sheet |
| 09 Roof Structure | 34 Base Sheet (Fastened) | 102 Drain Pan |
| 21 Polyisocyanurate Insulation (Adhered) | 45 Roofing Mastic | 103 Metal Drain Strainer |
| 24 Tapered Insulation Sump | 52 AlphaGuard BIO Base Coat | 104 Clamping Ring |
| 28 Cover Board (Adhered) | 61 AlphaGuard Glass Mat or Permafab | 105 AlphaGuard Target Patch |
| 31 Approved Base Ply Sheet | 72 AlphaGuard BIO Top Coat | 106 Stripping Ply |



AlphaGuard® BIO Plus Roof Drain, Temp. Roof, Wood Deck
Detail 33224

KEY NOTES

- | | | |
|--|-------------------------------------|-----------------------------|
| 05 Gypsum Deck | 37 Approved Base Sheet (Adhered) | 85 Lead Flashing Sheet |
| 09 Roof Structure | 34 Base Sheet (Fastened) | 102 Drain Pan |
| 21 Polyisocyanurate Insulation (Adhered) | 45 Roofing Mastic | 103 Metal Drain Strainer |
| 24 Tapered Insulation Sump | 52 AlphaGuard BIO Base Coat | 104 Clamping Ring |
| 28 Cover Board (Adhered) | 61 AlphaGuard Glass Mat or Permafab | 105 AlphaGuard Target Patch |
| 31 Approved Base Ply Sheet | 72 AlphaGuard BIO Top Coat | 106 Stripping Ply |



AlphaGuard® BIO Plus Roof Drain, Temp. Roof, Gypsum Deck
Detail 33225